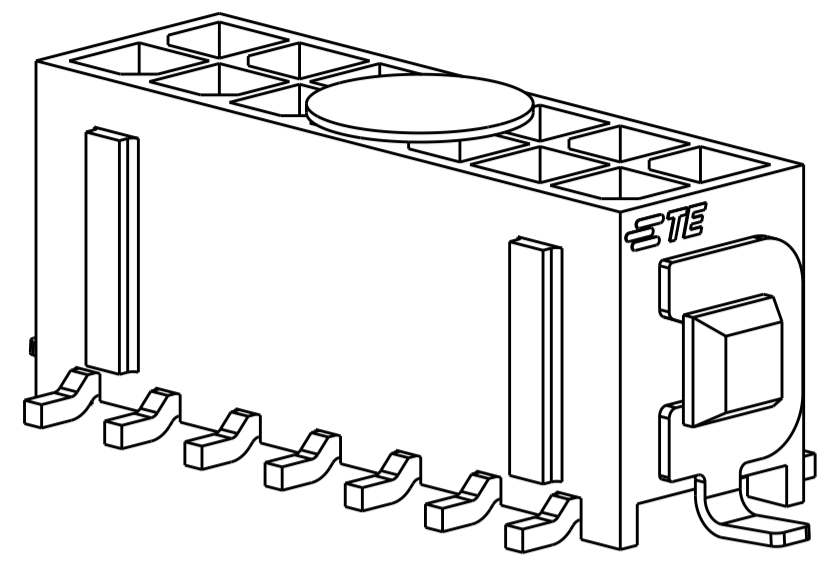
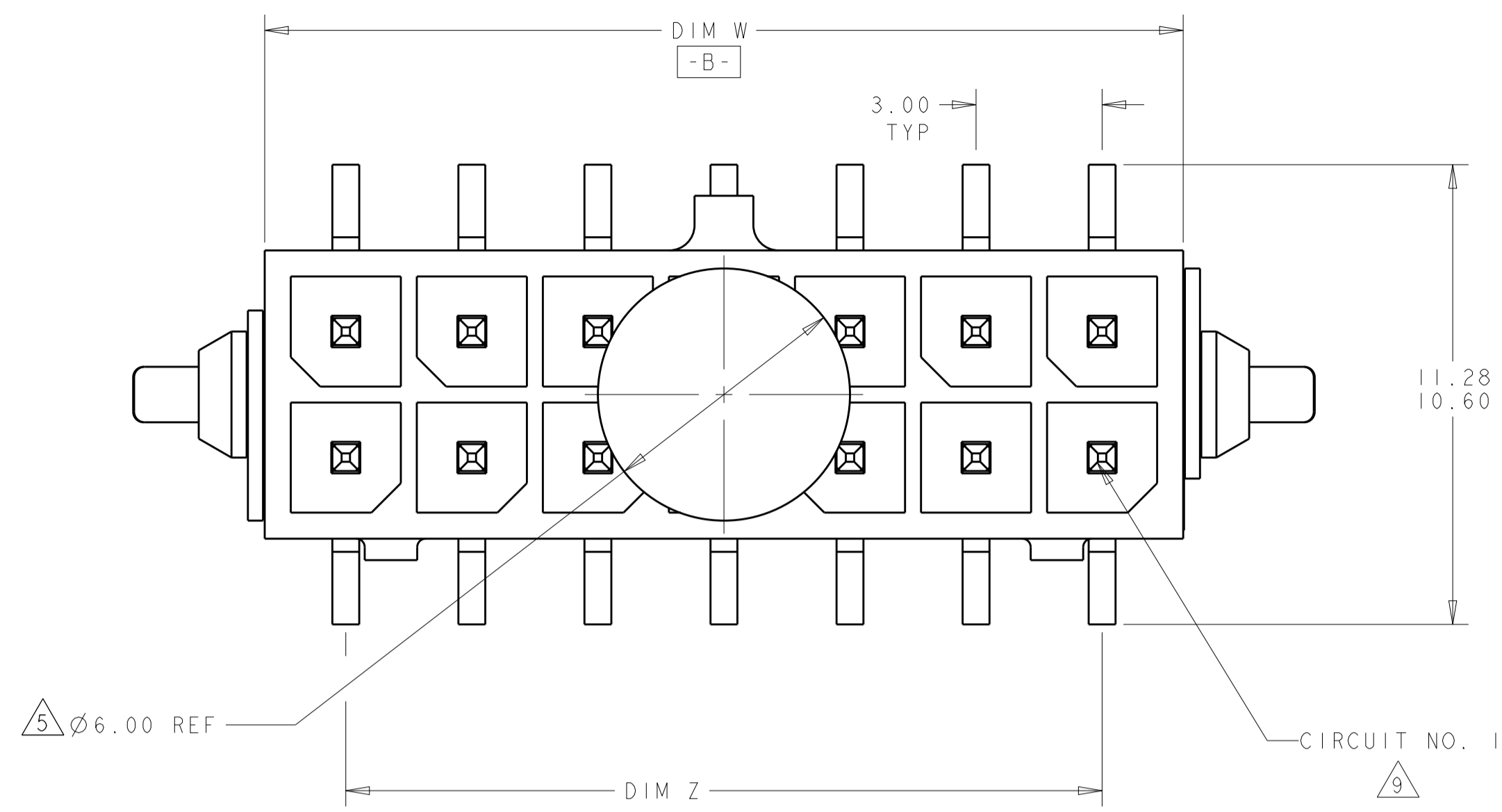
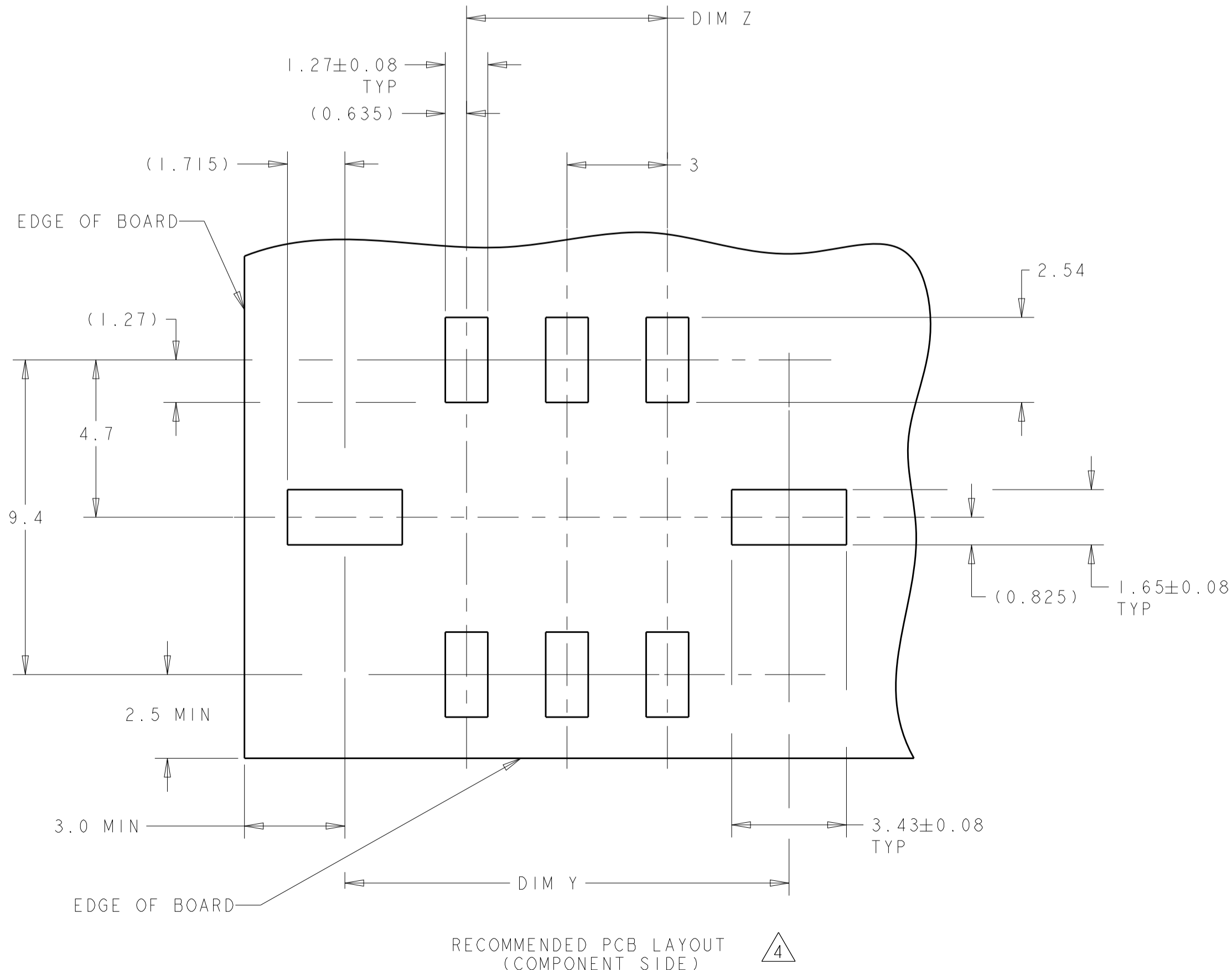
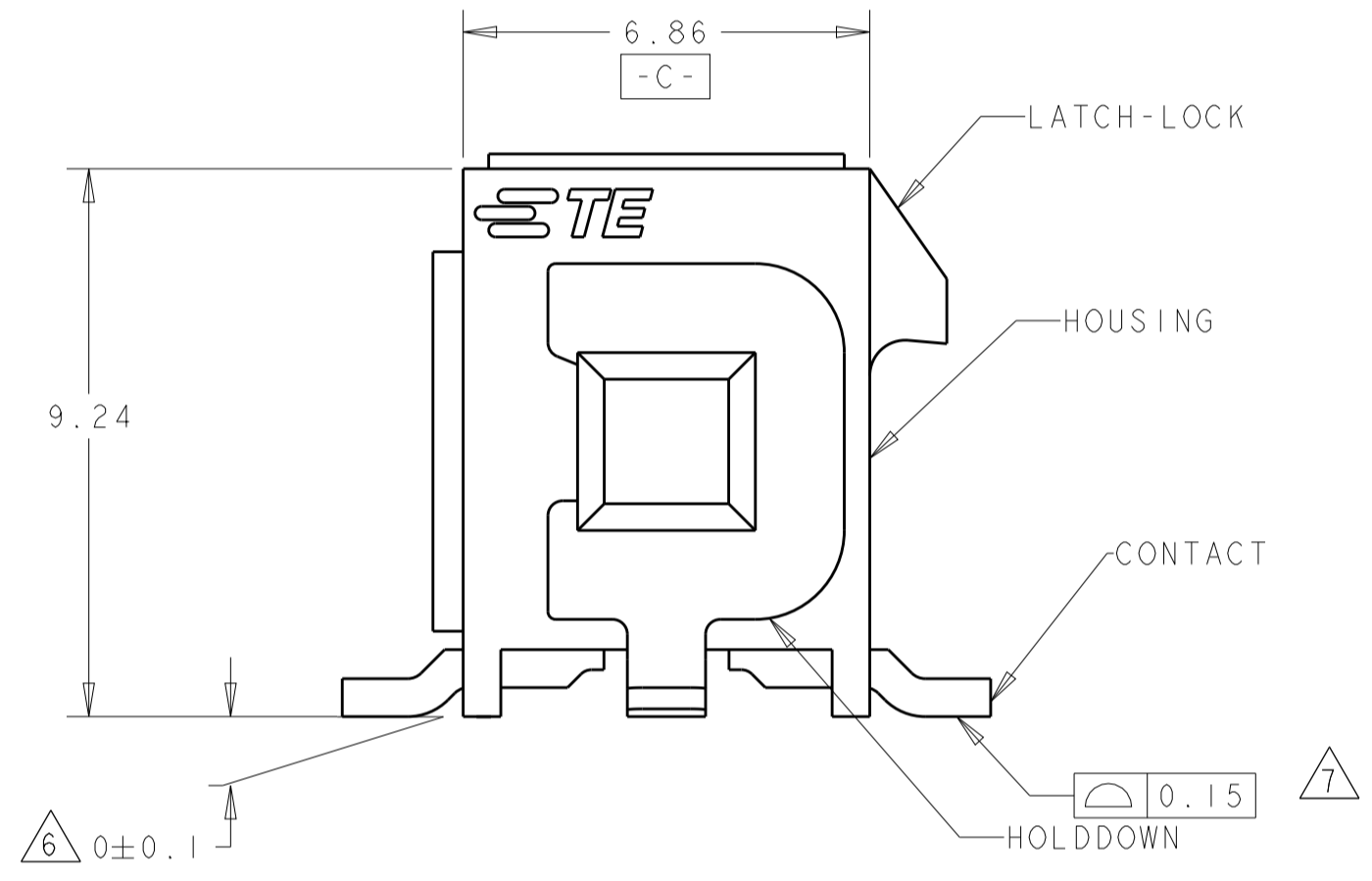
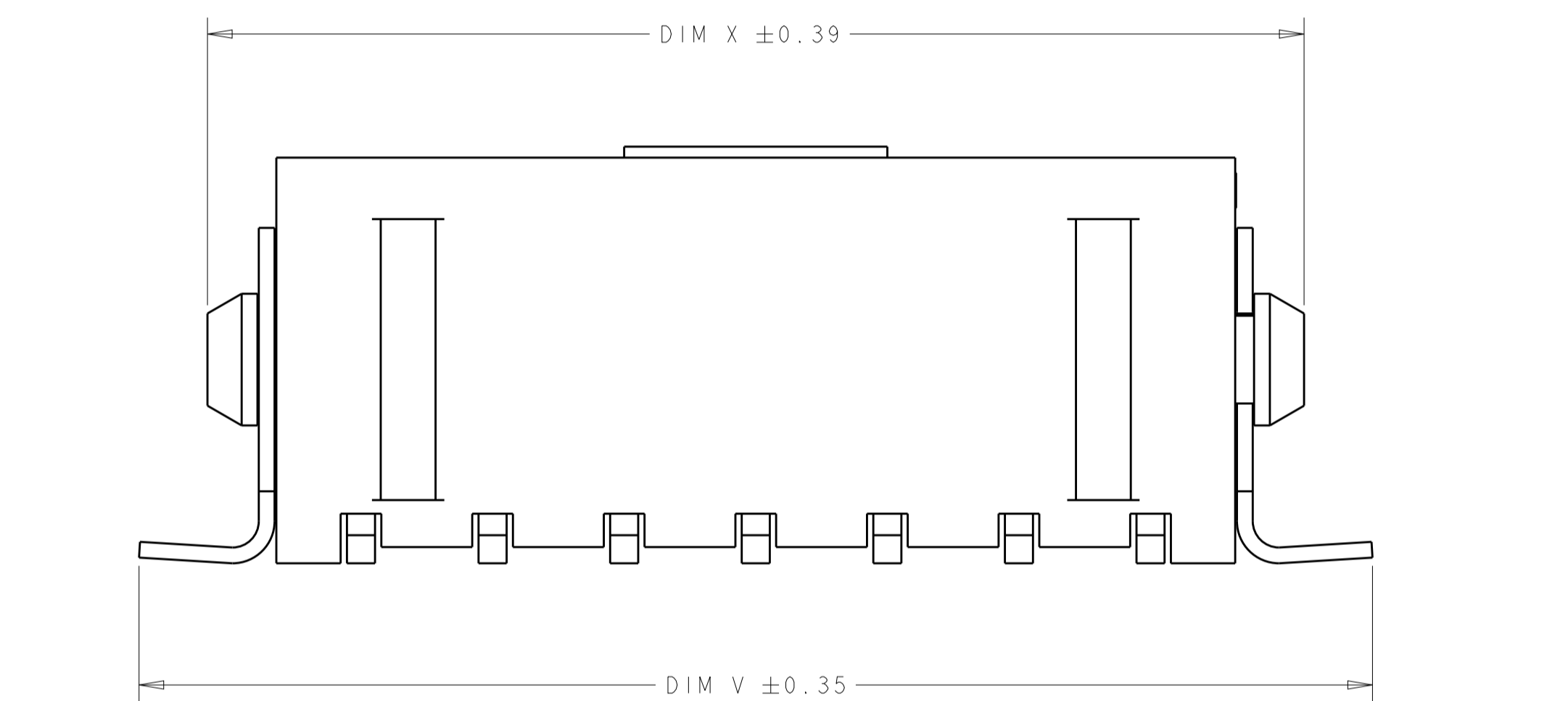


| LOC | DIST | REV | DATE      | BY | APPV |
|-----|------|-----|-----------|----|------|
| CM  | 00   | K   | 23APR2015 | SC | ZD   |



SCALE 5:1



- 1 MATERIAL; CONTACTS - BRASS. HOUSING - UL 94V-0 RATED HIGH TEMP NYLON, COLOR; BLACK. HOLDDOWNS - PHOSPHOR BRONZE.
- 2 PLATING; CONTACTS - 0.76µm MINIMUM GOLD OVER 2.54µm MINIMUM NICKEL ON MATING AREA. 2.54µm TIN-LEAD MINIMUM OVER 2.54µm NICKEL MINIMUM ON SOLDER TAILS. HOLDDOWNS - 2.54µm TIN LEAD.
- 4 RECOMMENDED PC BOARD THICKNESS OF 1.57.
- 5 KAPTON VACUUM PICK UP BUTTON.
- 6 DIMENSION APPLIES TO SOLDER TAIL SURFACES AND STANDOFF SURFACES.
- 7 ALL SOLDER TAILS AND HOLDDOWNS.
- 8 PLATING; CONTACTS - 0.76µm MINIMUM GOLD OVER 2.54µm MINIMUM NICKEL ON MATING AREA. 2.54µm MATTE TIN MINIMUM OVER 2.54µm NICKEL MINIMUM ON SOLDER TAILS. HOLDDOWNS - 2.54µm MATTE TIN.
- 9 CIRCUIT NUMBER 1 IS LOCATED AT THE BOTTOM RIGHT WITH THE LATCH-LOCK ON TOP LOOKING INTO THE CAVITIES

| FINISH | DIM V | DIM W | DIM Y | DIM Z | DIM X | NO. OF POSN. | PART NUMBER |
|--------|-------|-------|-------|-------|-------|--------------|-------------|
| 8      | 43.04 | 36.86 | 40.27 | 33.00 | 40.00 | 24           | 5-794638-4  |
| 8      | 40.04 | 33.86 | 37.27 | 31.00 | 37.00 | 22           | 5-794638-2  |
| 8      | 37.04 | 30.86 | 34.27 | 27.00 | 34.00 | 20           | 5-794638-0  |
| 8      | 34.04 | 27.86 | 31.27 | 24.00 | 31.00 | 18           | 4-794638-8  |
| 8      | 31.04 | 24.86 | 28.27 | 21.00 | 28.00 | 16           | 4-794638-6  |
| 8      | 28.04 | 21.86 | 25.27 | 18.00 | 25.00 | 14           | 4-794638-4  |
| 8      | 25.04 | 18.86 | 22.27 | 15.00 | 22.00 | 12           | 4-794638-2  |
| 8      | 22.04 | 15.86 | 19.27 | 12.00 | 19.00 | 10           | 4-794638-0  |
| 8      | 19.04 | 12.86 | 16.27 | 9.00  | 16.00 | 8            | 3-794638-8  |
| 8      | 16.04 | 9.86  | 13.27 | 6.00  | 13.00 | 6            | 3-794638-6  |
| 8      | 13.04 | 6.86  | 10.27 | 3.00  | 10.00 | 4            | 3-794638-4  |
| 8      | 10.04 | 3.86  | 7.27  | -     | 7.00  | 2            | 3-794638-2  |
| 2      | 43.04 | 36.86 | 40.27 | 33.00 | 40.00 | 24           | 2-794638-4  |
| 2      | 40.04 | 33.86 | 37.27 | 30.00 | 37.00 | 22           | 2-794638-2  |
| 2      | 37.04 | 30.86 | 34.27 | 27.00 | 34.00 | 20           | 2-794638-0  |
| 2      | 34.04 | 27.86 | 31.27 | 24.00 | 31.00 | 18           | 1-794638-8  |
| 2      | 31.04 | 24.86 | 28.27 | 21.00 | 28.00 | 16           | 1-794638-6  |
| 2      | 28.04 | 21.86 | 25.27 | 18.00 | 25.00 | 14           | 1-794638-4  |
| 2      | 25.04 | 18.86 | 22.27 | 15.00 | 22.00 | 12           | 1-794638-2  |
| 2      | 22.04 | 15.86 | 19.27 | 12.00 | 19.00 | 10           | 1-794638-0  |
| 2      | 19.04 | 12.86 | 16.27 | 9.00  | 16.00 | 8            | 794638-8    |
| 2      | 16.04 | 9.86  | 13.27 | 6.00  | 13.00 | 6            | 794638-6    |
| 2      | 13.04 | 6.86  | 10.27 | 3.00  | 10.00 | 4            | 794638-4    |
| 2      | 10.04 | 3.86  | 7.27  | -     | 7.00  | 2            | 794638-2    |

THIS DRAWING IS A CONTROLLED DOCUMENT. DWG: 9-MAR-2003, CHK: WHITAKER, 19-MAR-2003, C. JONES, 19-MAR-2003, APVD: C. JONES, 19-MAR-2003

**STE** TE Connectivity

PRODUCT SPEC: SURFACE MOUNT, VERTICAL, SURFACE MOUNT, HOLDDOWN, ASSEMBLY, 30 GOLD HEADER, DUAL ROW, MICRO MATE-N-LOK (TM)

APPLICATION SPEC: -

SIZE: A100779C=794638

WEIGHT: -

CUSTOMER DRAWING

SCALE: 8:1 SHEET 1 OF 1 REV K